

Description

Accumulator Charging Device is used for;

- Charging,
- Inflating,
- Pressure Control, operations.

Applications

- Hydraulic Accumulators

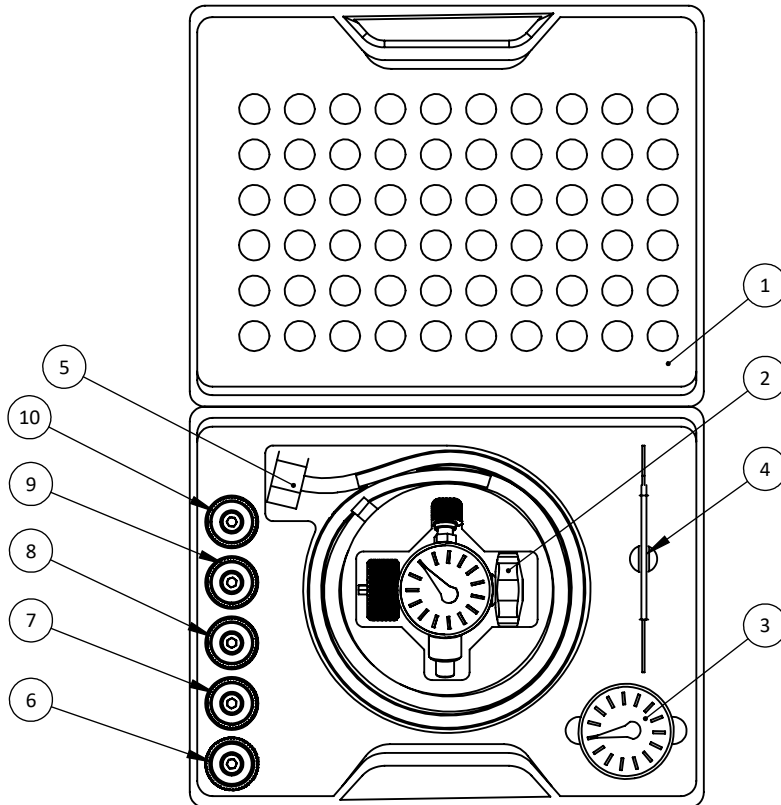
Note: "AD1.1" has been designed for all types accumulator.



Technical Features

Model	: AD1.1
Maximum Operation Pressure	: 250 bar
Charging Hose	: W24,32x1/14 – M14x1,5 Charging hose height :2 m M14 x 1,5 Charging Hose Height : 2 m
Adaptörler	: Four kind of adaptors are inside of box with Accumulator Charging Device; <ul style="list-style-type: none">• UNF 5/8"-18• UNF 5/16"-24• UNF7/8"-14• G1/4"• M14 x 1,5
Manometers	: Accumulator Charging Device has two kind of manometer. <ul style="list-style-type: none">• Ø63 – 250 bar Back Connection Dry Type Manometer• Ø63 – 100 bar Back Connection Dry Type Manometer

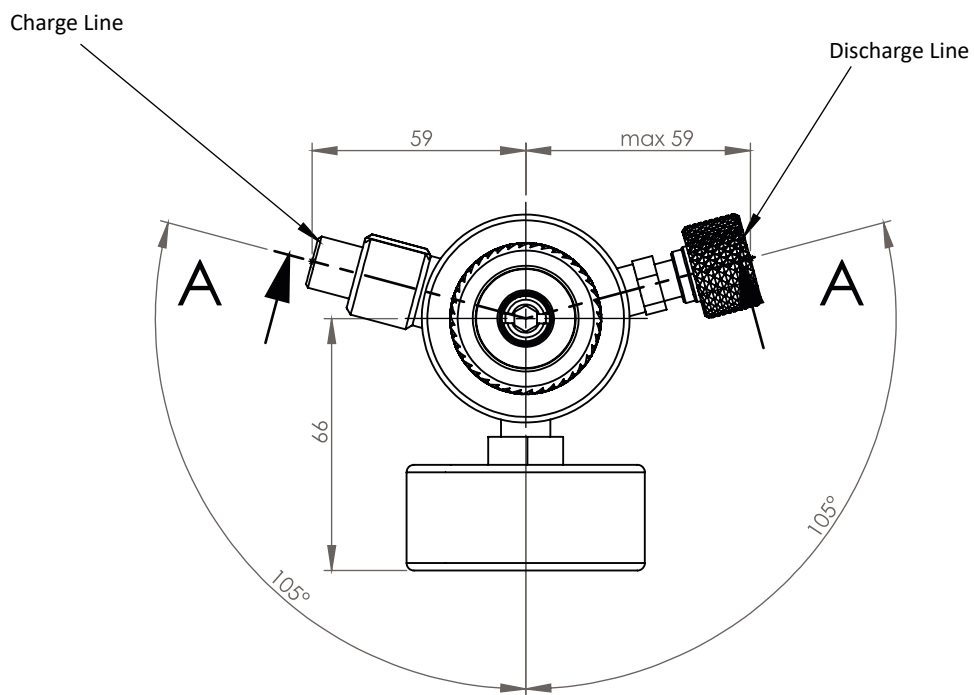
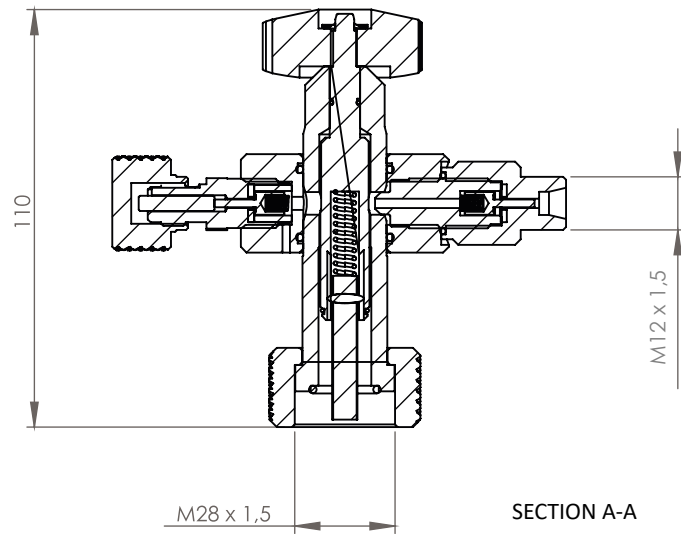
Material List



10	04.99.100.02.31	M14x1,5- ADAPTOR	1
9	04.99.100.02.28	UNF 5/8" - 18 ADAPTOR	1
8	04.99.100.02.27	UNF 5/16" - 24 ADAPTOR	1
7	04.99.100.02.26	G1/4 ADAPTOR	1
6	04.99.100.02.24	7/8" - 14 UNF ADAPTOR	1
5	04.05.044	M16x1,5 - M12x1,5 CHRAGING HOSE	1
4	02.99.01.001	HEXWRENCH 6	1
3	02.98.01.04.001	Ø63-250 BR. BACK CON. DRY TYPE MANOMETER	1
2	04.99.100.02.23	ACCUMULATOR CHARGE AND TEST DEVICE	1
1	02.90.017	ACCUMULATOR CHARGE DEVICE CUSTOM BOX	1
PART NO.	PART NUMBER	DESCRRIPTION	Q'TY.

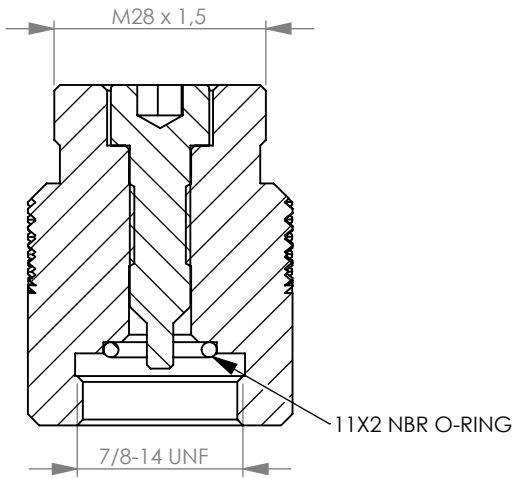
Technical Dimensions

PART NUMBER 04.99.100.02.23

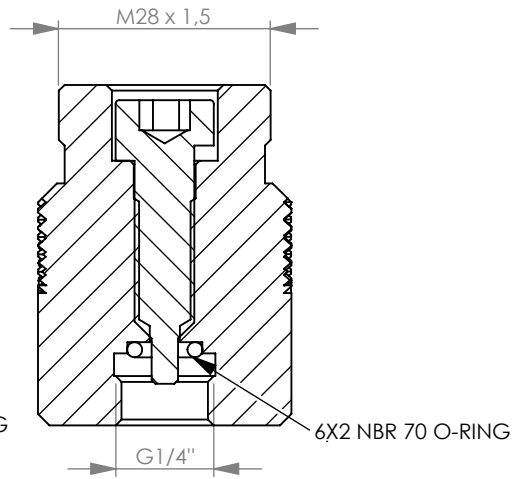


Spare Part Informations

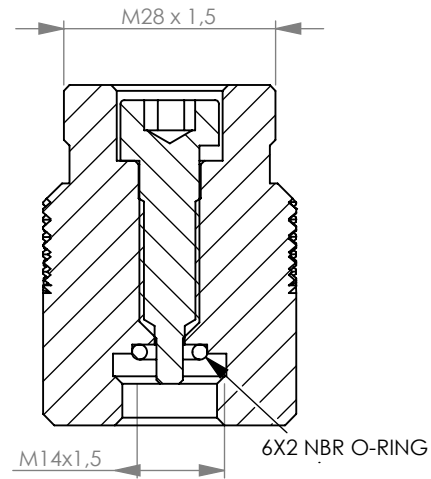
PART NUMBER
04.99.100.02.24



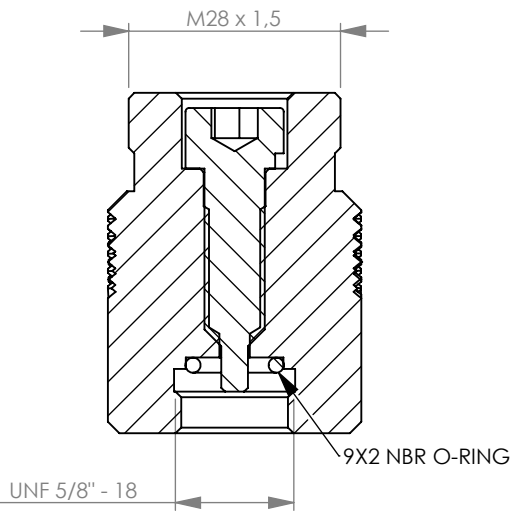
PART NUMBER
04.99.100.02.26



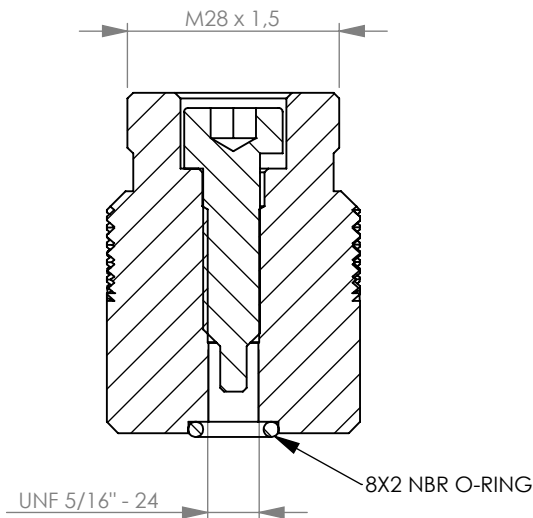
PART NUMBER
04.99.100.02.31



PART NUMBER
04.99.100.02.28



PART NUMBER
04.99.100.02.27



PNOMEK

Safe pressure materials..

PNOMEK Hid. Pno. Mak. Kont. Cihazları San. Tic. Ltd. Ş
Çalı Sanayi Bölgesi, Kırmızı Cd. No:16 Nilüfer-BURSA / TÜRKİYE
pnomek@pnomek.com.tr
T.: +90 (224) 251 63 45
F.: +90 (224) 251 63 46