

Description

LP A1 series pressure switch opens or closes its electrical circuit depending on pressure rises or drops. Working pressure can be set from 7 bar to 600 bar by hand wheel on pressure switch. It has been designed suitable for using under high and shock pressures. It makes itself interesting for costumers thanks to easy adjustability and sensitivity. It has vertical fitting connection holes for bottom flange connection. It has mountable design for all axis.

- LP A1 series pressure switch can be set thanks to hand wheel on pressure switch
- Desired pressure can be set easily thanks to pressure set scale.
- It has Aluminium body material
- NBR and Teflon seal equipments.

Applications

- Hydraulic and mobile hydraulics
- Pneumatics
- Heavy-Duty machines industry
- Media; Compressed air, liquids, gases.

Technical Features

Connection Type	: Side Flange Connection
Reproducibility	: Within %1 of set pressure
Working Temperature	: -20°C...+110°C
Vibration Test (DIN EN 60068-2-6:1996)	: 20 g (Test Time 30 min.)
Shock Test (DIN EN 60068-2-27:1993)	: 30 g
Working Cycle	: 5 000 000 cycle
Viscosity Range	: Between 10 ... 800 mm ² /sn
Electrical Features	: 5A 250VAC

Notes

These values are maximum values and they can not be used at the same time. When you need to use the pressure switch in aggressive chemicals or fluids please contact with us. You must stict to rules of clearence standarts Hydraulic oils (fluids). Use filtration to blocking system errors. It is effective for long working life of pressure switches. Please avoid using out of indicated values to have a long service from pressure switch.

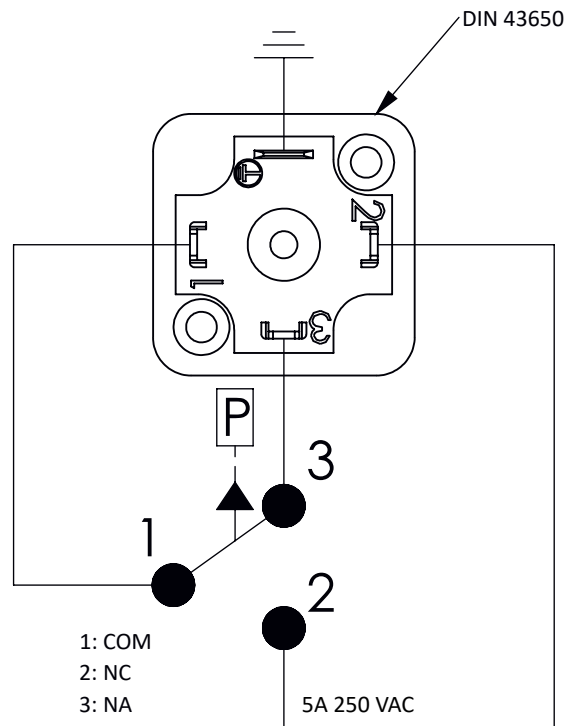


Order Codes

PRODUCT	PRODUCT CODE	PRESSURE RANGE	MAXIMUM SYSTEM PRESSURE (P _{MAX})	ELECTRICAL CONNECTION TYPE	CONNECTION TYPE
LP A1	LP A1 070	7 ... 70 bar	650 bar	NA / NC	BOTTOM FLANGE CONNECTION
	LP A1 160	10 ... 160 bar	650 bar		
	LP A1 300	20 ... 300 bar	650 bar		
	LP A1 400	20 ... 400 bar	650 bar		
	LP A1 600	50 ... 600 bar	750 bar		

Electrical Connection

Contact Connection Scheme

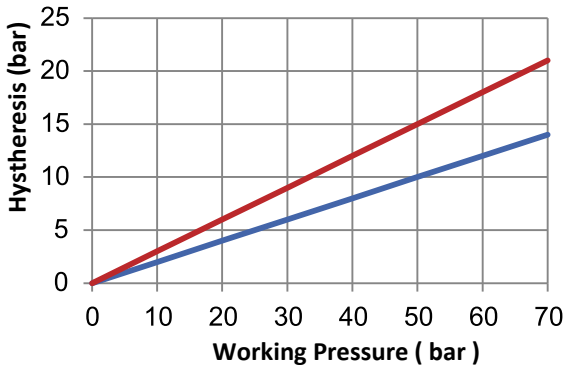


Switch Function

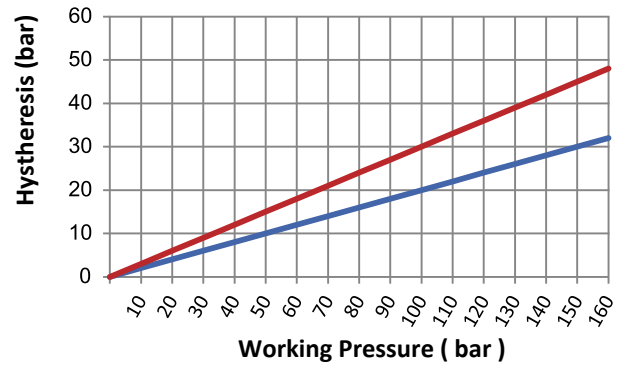
- Terminal 1 - 3 :It has current in case of pressure increasing. (NA)
- Terminal 1 - 2 :It has current in case of pressure decreasing or no pressure. (NC)

Pressure Differential Difference Graphics

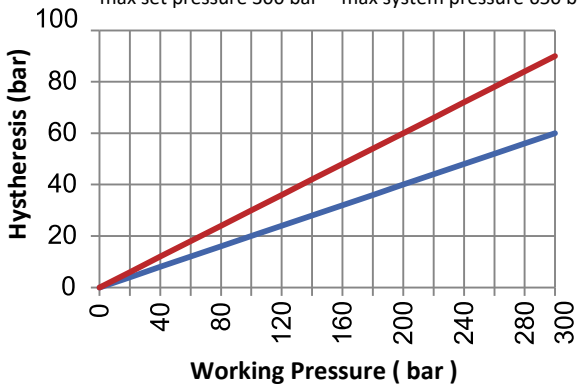
Pressure Set Range
7 ... 70 bar
max set pressure 70 bar max system pressure 650 bar



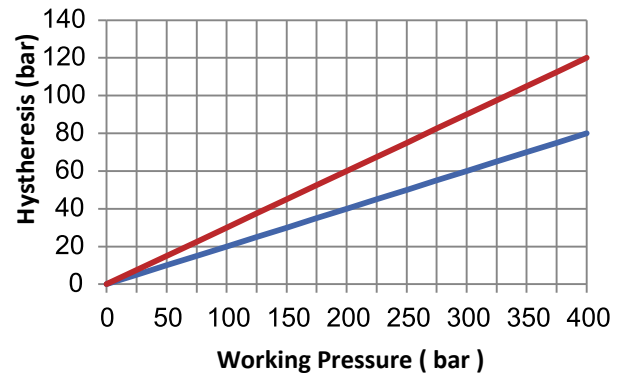
Pressure Set Range
10 ... 160 bar
max set pressure 160 bar max system pressure 650 bar



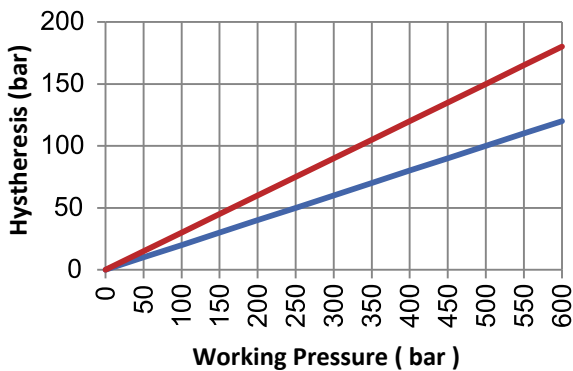
Pressure Set Range
20 ... 300 bar
max set pressure 300 bar max system pressure 650 bar



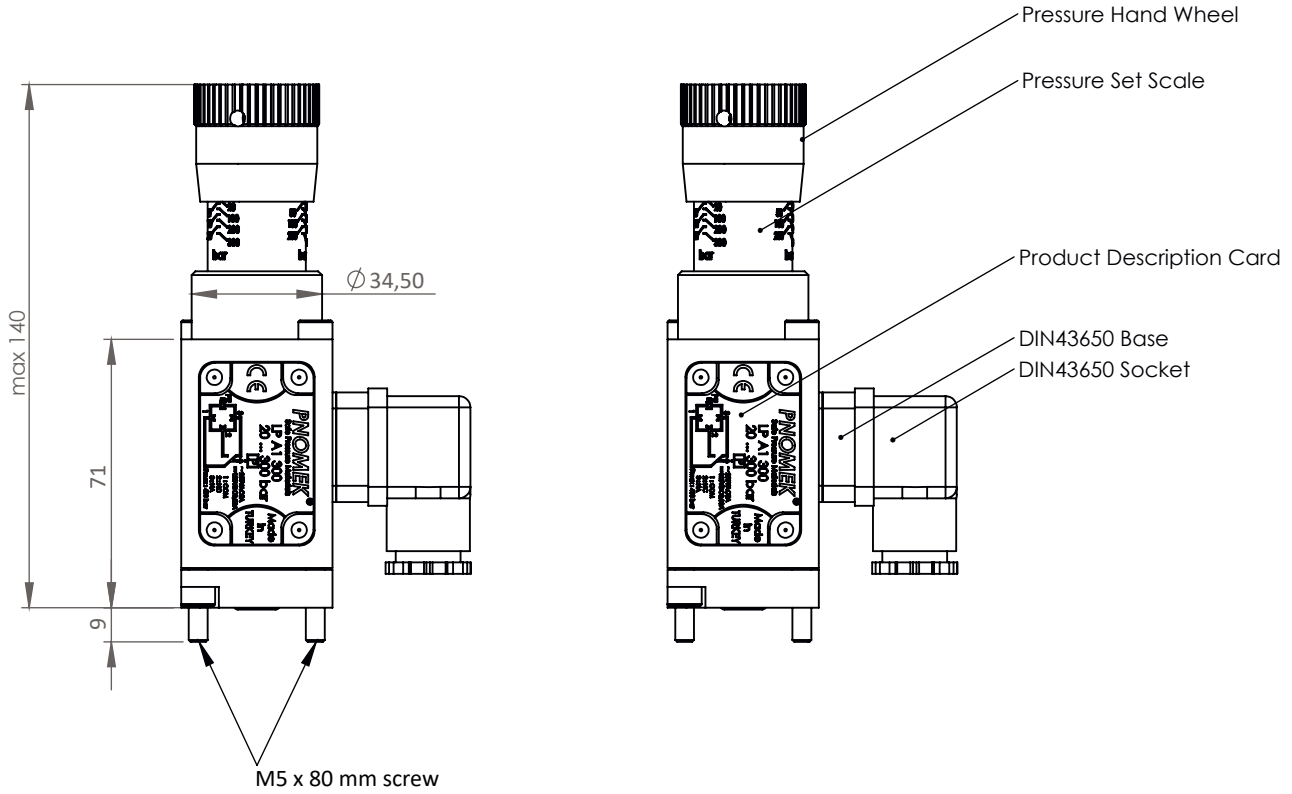
Pressure Set Range
20 ... 400 bar
max set pressure 400 bar max system pressure 650 bar



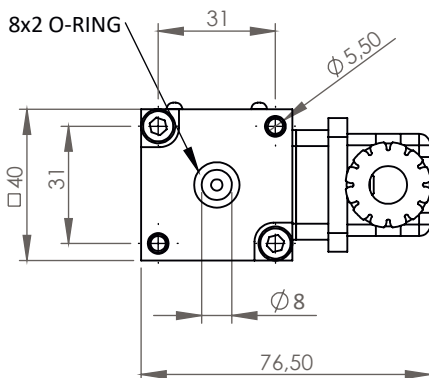
Pressure Set Range
50 ... 600 bar
max set pressure 600 bar max system pressure 650 bar



Technical Dimensions



Connection Dimensions



Note : 2 pieces M5 X 80 hexagon metric screw has been added to LP A1 series bottom flange connection.

PNOMEK

Safe pressure materials..

PNOMEK Hid. Pno. Mak. Kont. Cihazları San. Tic. Ltd. Ş
Çalı Sanayi Bölgesi, Kırmızı Cd. No:16 Nilüfer-BURSA / TÜRKİYE
pnomek@pnomek.com.tr
T.: +90 (224) 251 63 45
F.: +90 (224) 251 63 46