

Description

TC1 Series Bimetal Thermostats opens or closes electrical circuit depending on decreasing and increasing of temperature. Fixed temperature values are from 35°C to 120°C. Products presents standart one contact NA (Normaly Opened) option. It is produced as NC (Normaly Closed) contact optionally. Electrical connection can be with square socket on thermostat. It is classified as contact temperatures and mechanic connection.

- IP65 Protective Class
- Reproduciblity is inside of %1
- Compact Designed

Applications

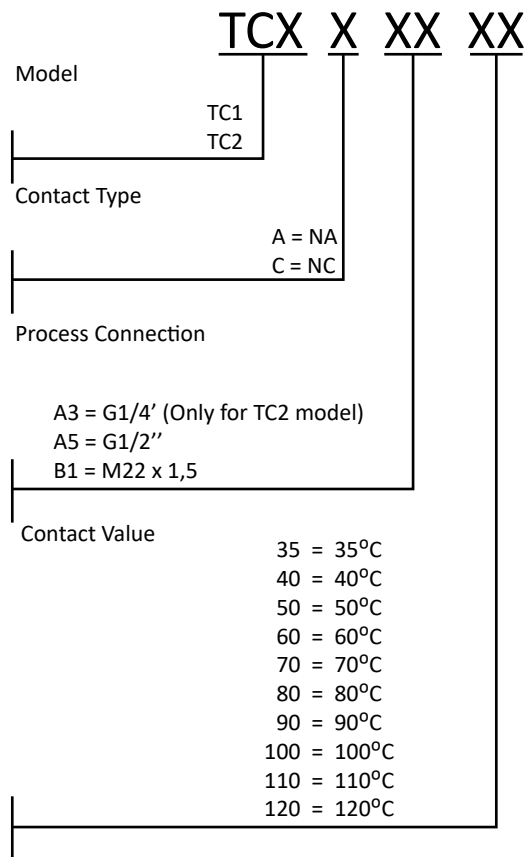
- Heating Technology
- Coolers
- Automotive Sector

Technical Features

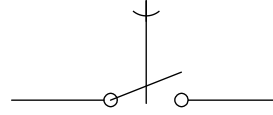
Model	: TC Series
Contact	: NA or NC
Rated Voltage	: 250 VAC 50 Hz / 60 Hz
Rated Current	: 10A
Contact Resistance	: 50mΩ
Body Material	: Brass
Mechanic Connection Type	: G1/2" - M22x1,5
Electrical Connection Type	: Socket DIN 43650 2P+T
Maximum Media Temperature	: 205°C
Working Life	: 100 000 cycle
Protective class	: IP55



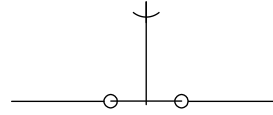
Order Codes



Electrical Connection Features



NA

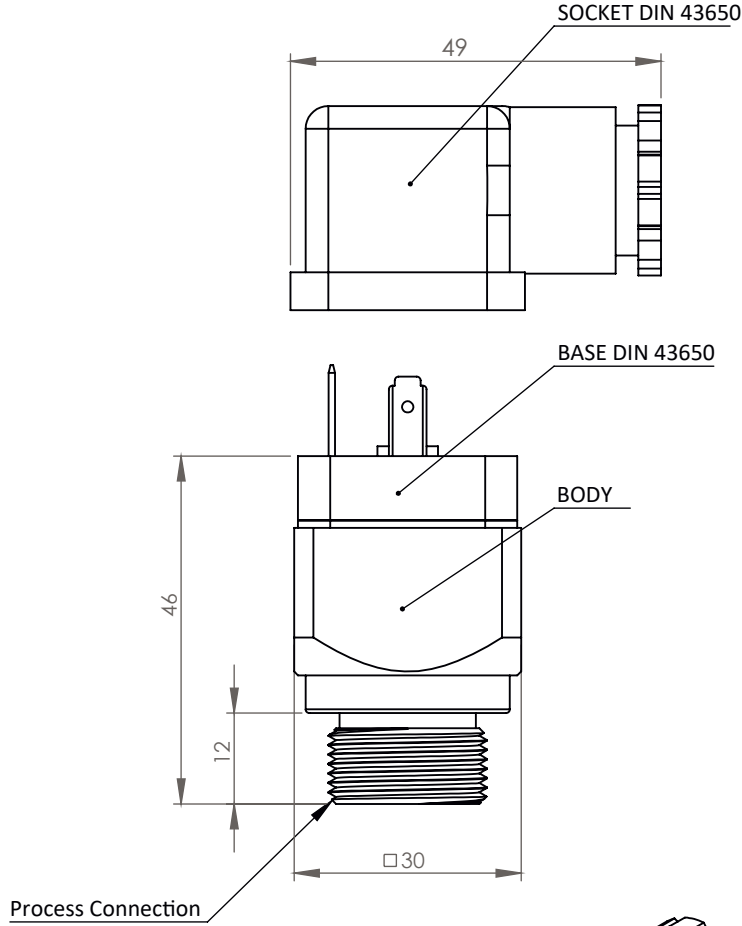


NC

Electrical Connection	EN 175301-803, 2-TERMINAL + PE
Maximum Contact Surface	1.5mm ²
Minimum Current	1mA 12 V DC
Maksimum Current	10 A 250 VAC

Model	Contact Value	High Contact Value	Low Contact Deđeri
TC Series	35°C	35 ±3°C	20 ±5°C
	40°C	40 ±3°C	25 ±5°C
	50°C	50 ±3°C	35 ±5°C
	60°C	60 ±3°C	45 ±5°C
	70°C	70 ±3°C	55 ±5°C
	80°C	80 ±3°C	65 ±5°C
	90°C	90 ±3°C	75 ±5°C
	100°C	100 ±3°C	85 ±5°C
	110°C	110 ±3°C	105 ±5°C
	120 °C	120 ±3°C	90 ±5°C

Technical Dimensions



PROCESS CONNECTION	
ORDER CODE	THREAD SIZE
A5	G1/2"
B1	M22 x 1,5

