

Description

TC2 Series Bimetal Thermostats opens or closes electrical circuit depending on decreasing and increasing of temperature. Fixed temperature values are from 35°C to 120°C. Products presents standart one contact NA (Normaly Opened) option. It is produced as NC (Normaly Closed) contact optionally. Electrical connection can be with fast-on terminal on thermostat. It is classified as contact temperatures and mechanic connection.

- IP65 Protective Class
- Reproduciblity is inside of %1
- Compact Designed

Applications

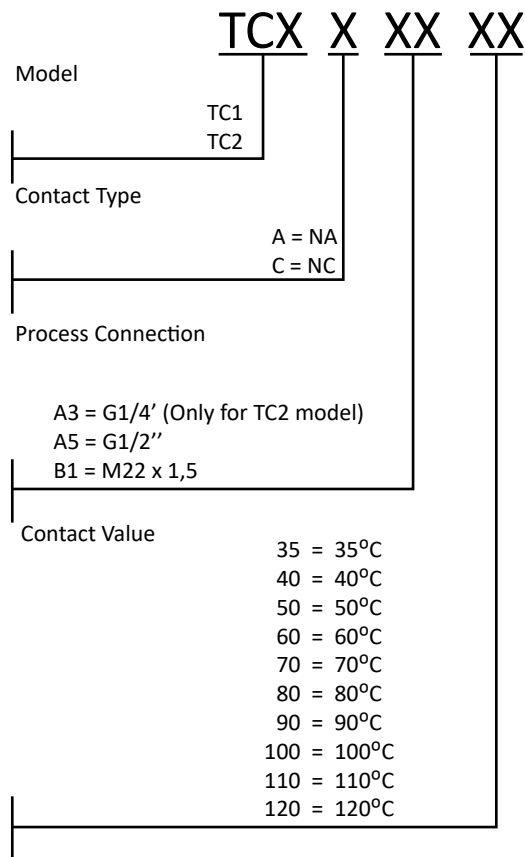
- Heating Technology
- Coolers
- Automotive Sector

Technical Features

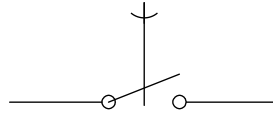
Model	: TC Series
Contact	: NA or NC
Rated Voltage	: 250 VAC 50 Hz / 60 Hz
Rated Current	: 10A
Contact Resistance	: 50mΩ
Body Material	: Brass
Mechanic Connection Type	: G1/2" - M22x1,5
Electrical Connection Type	: Socket DIN 43650 2P+T
Maximum Media Temperature	: 205°C
Working Life	: 100 000 cycle
Protective class	: IP55



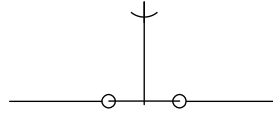
Order Codes



Electrical Connection Features



NA

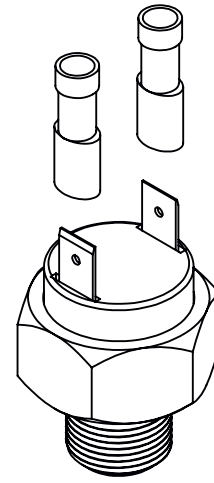
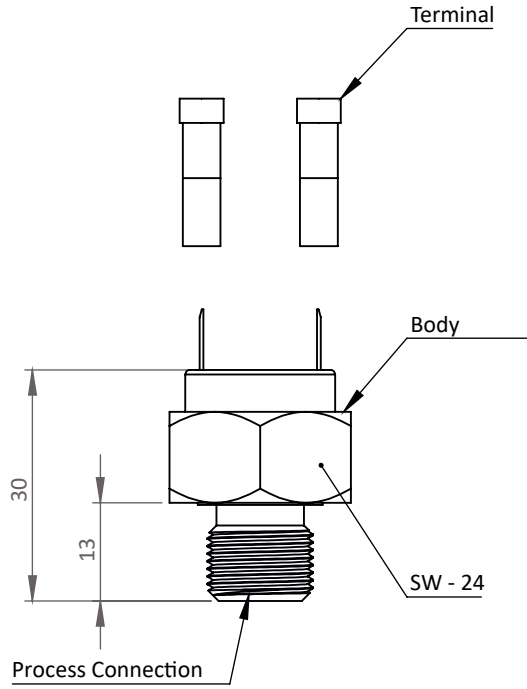


NC

Electrical Connection	EN 175301-803, 2-TERMINAL + PE
Maximum Contact Surface	1.5mm ²
Minimum Current	1mA 12 V DC
Maksimum Current	10 A 250 VAC

Model	Contact Value	High Contact Value	Low Contact Deđeri
TC Series	35°C	35 ±3°C	20 ±5°C
	40°C	40 ±3°C	25 ±5°C
	50°C	50 ±3°C	35 ±5°C
	60°C	60 ±3°C	45 ±5°C
	70°C	70 ±3°C	55 ±5°C
	80°C	80 ±3°C	65 ±5°C
	90°C	90 ±3°C	75 ±5°C
	100°C	100 ±3°C	85 ±5°C
	110°C	110 ±3°C	105 ±5°C
	120 °C	120 ±3°C	90 ±5°C

Technical Dimensions



PROCESS CONNECTION	
ORDER CODE	THREAD CON.
A3	G1/4"
A5	G1/2"
B1	M22 x 1,5